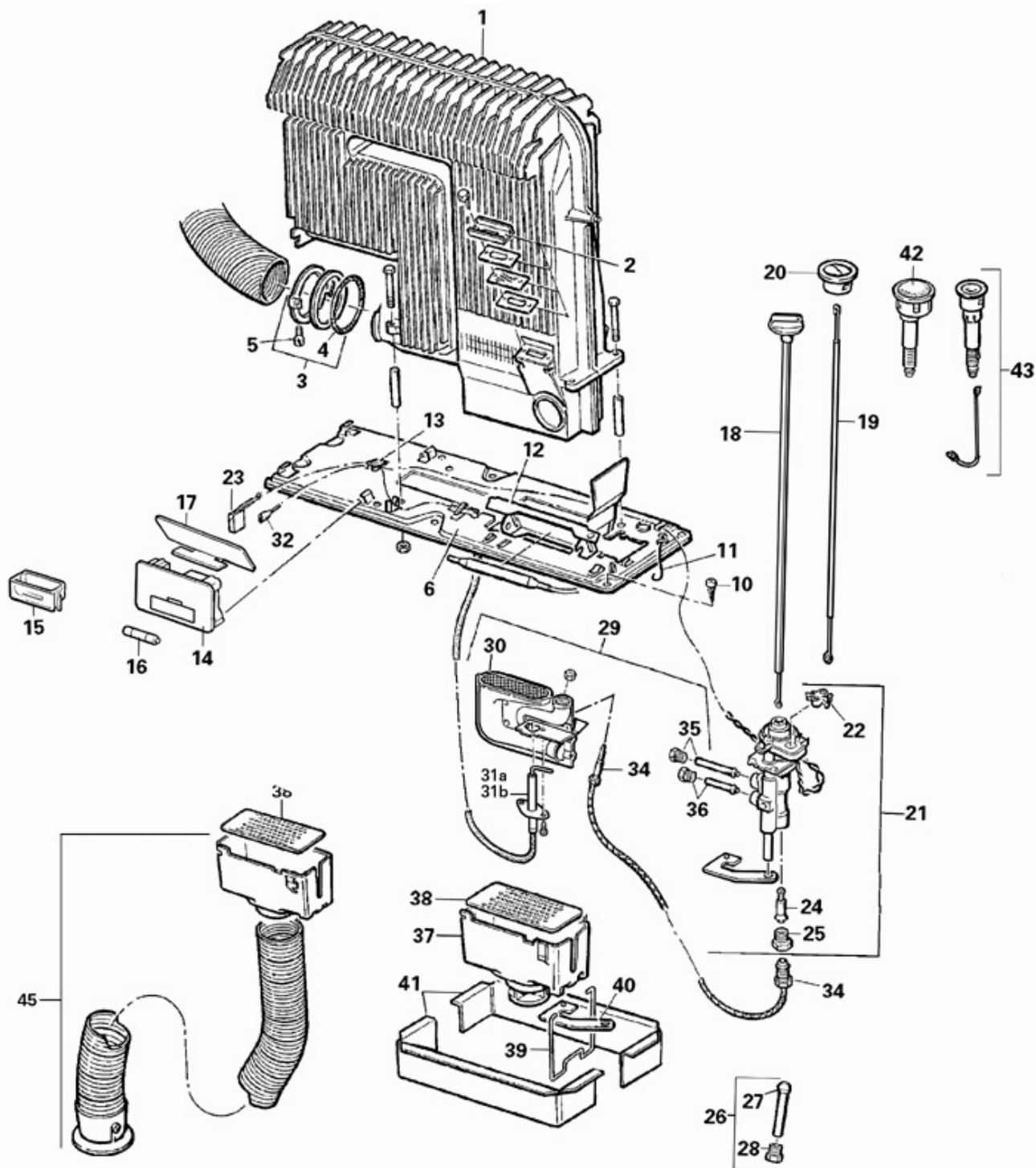


HEATING SYSTEMS/S-heaters/Spare parts .../Trumatic S 3.../Trumatic S 3002 (P) from 04/93



Pos.	Part-No.	Description	Information
01	30030-89400	Heat exchanger complete	with exhaust duct fitting
02	30030-02700	Mica window large	58 mm x 12 mm
02	30030-42700	Mica window	42 mm x 15 mm
03	30030-03600	Exhaust duct fitting complete	

04	10030-26500	O-ring 52 x 5	
05	10010-84500	Screw M 5 x 16	
06	30030-33300	Floor base complete	with screws
10	10010-66200	Screw B 5.5 x 25	
11	30030-85700	Earth spring	only S 3002 P
12	30030-29800	Holder for heat detector	
13	30030-29300	Edge protection	
14	30050-53000	Auto ignitor	with adapter kabel - without battery
14x	30050-53500	Adapter cable auto ignitor	for the use of new auto ignitors in old appliances until 05/99 - not illustrated
15	30020-13300	Battery box	for auto ignitor until 05/99
16	30030-99200	Battery Mignon 1.5 V	
17	30030-16100	Heat deflector	
18	00000-00001	not available	Control rod until 05/96
19	30040-13600	Control rod	after 05/96
20	30040-40400	Control knob	after 05/96
21	30050-58000	Safety pilot valve complete	complete with adapter, 1 x olive 20000-41100 and 1 x nut 20000-37600 to order in addition
22	30050-58100	Micro switch	complete with adapter plug
22x	30050-59200	Adapter plug	for connection to auto ignitors with 2 batteries (not illustrated)
23	30010-23400	Socket board 2-pin	black
24	30030-12200	Magnet inset mini	
25	30030-12000	MS-nut	for magnet inset
26	30030-03100	Feed pipe	with double conical ring L 8 and male fitting until 05/99
27	30010-10900	Double conical ring L8	
28	30010-11000	Male fitting	
29	30040-64600	Burner complete S 32 P, 30 mbar	for piezo (with new front case) with spark electrode 75 cm, thermocouple and burner tubes
29	30030-03900	Burner complete S 32 P, 50 mbar	for piezo (with old front case) with spark electrode 95 cm long, thermocouple and burner tubes
29	30040-64700	Burner complete S 32 P, 50 mbar	for piezo (with new front case) with spark electrode 75 cm, thermocouple and burner tubes
29	30030-01900	Burner complete S 32, 50 mb	with spark electrode 45 cm long, thermocouple and burner tubes
29	30030-02000	Burner complete S 32, 30 mb	with spark electrode 45 cm long, thermocouple and burner tubes
29	30030-04000	Burner complete S 32 P, 30 mbar	for piezo (with old front case) with spark electrode 95 cm long, thermocouple and burner tubes
30	30040-18700	Burner 50 mbar	screwed ignitor plug to order in addition

30	30040-18600	Burner 30 mbar	screwed ignitor plug to order in addition
31a	30030-02900	Spark electrode 45 cm	cramped, for automatic, for burner set until 08/04
31a	30040-64500	Spark electrode 75 cm	cramped, for piezo (with new front case), for burner set until 08/04
31a	00000-00001	not available	Spark electrode 95 cm, spare pos. 30 and 31b
31b	30040-65900	Spark electrode 75 cm with screw	screwed, for piezo (with new front case), for burner set from 08/04
31b	30030-27300	Spark electrode 95 cm with screw	screwed, for piezo (with old front case), for burner set from 08/04
31b	30040-65800	Spark electrode 45 cm with screw	screwed, for automatic, for burner set from 08/04
32	30010-23500	Flat connector 2.8 mm	
34	30050-13900	Thermocouple 25 cm	with attachment nut
35	30030-02300	Pilot tube 50 mb	with double conical ring L 5 and male fitting
35	30030-02400	Pilot tube 30 mb	with double conical ring L 5 and male fitting
36	30030-02200	Burner tube 30 mbar	details like part no. 30030-02400
36	30030-02100	Burner tube 50 mbar	details like part no. 30030-02300
37	30030-04300	Extension complete	with perforated plate and extension spring
38	30030-17500	Perforated plate	
39	30030-28500	Extension spring	
40	30030-19400	Distance sheet	until 05/99
41	30030-16400	Frame complete	
42	30030-00300	Piezo ignitor	for appliances with front case in old design
43	30040-62900	Piezo ignitor	for appliances with front case in new design, c/w earth cable
45	30030-04800	Air intake extension	with 50 cm tube
x	30040-40200	Accessory kit complete	for s 3002 with new front case - not illustrated
x	30030-85500	Gas tube interior connection right	not illustrated
x	30040-61600	Accessory kit complete	for s 3002 P with new front case - not illustrated
x	30030-85600	Gas tube interior connection left	not illustrated